



Lite2 Heaters

Value you can rely on...

Lite2 Heaters

With over 50 years of experience as the #1 selling brand of pool heaters—there is a Jandy heater designed for every application.

Reliability and performance year after year, season after season—whichever model you select is sure to provide years of dependable service.

A Variety Of Models To Choose From...

THE ULTIMATE IN FEATURES



LJ Liquid Crystal Digital Temperature Control Display

The new LJ model features a liquid crystal digital display with programmable pump control, dual temperature controls, built-in freeze protection and heater diagnostics.

THE #1 SELLER FOR OVER 50 YEARS!

THE ULTIMATE IN CONVENIENCE



LD Precision Electronic Temperature Control

The LJ & LD models have self-cleaning, hot surface ignition systems providing quick start-up every time.



LG Precision Electronic Temperature Control

Ceramic fiber combustion chamber makes for lightweight, compact design. Durable power coat finish provides years of performance.

LG models are millivolt ignition systems.

All models are available for either natural gas or propane fuels.

EFFICIENT DESIGN SAVES YOU MONEY

The Lite2's copper heat exchanger and Flow-Thru™ baffles allow for efficient heat transfer, lowering operating costs and extending the swimming season!



Introducing the New Lite2 Heater with Jandy Technology Inside!

Lite2 Heaters

HOW TO CHOOSE A POOL HEATER SIZE

First, determine the desired temperature difference by subtracting the coldest average air temperature when the pool will be in use from the desired pool water temperature. [Example: 85°F (desired pool water temperature) - 60°F (temperature when pool is opened) = 25°F difference.] Then, using the Pool Heater Sizing chart to the right, select the appropriate heater model number. (Sizing chart based on 3-1/2 mph average wind and average pool depth of 5-1/2 feet. Blue figures based on zero wind.)

POOL HEATER SIZING										
Model	125		175		250		325		400	
Temp. Diff.	Maximum Pool Surface Area (Sq. Ft.)									
	Wind Mph. 3 1/2 0		Wind Mph. 3 1/2 0		Wind Mph. 3 1/2 0		Wind Mph. 3 1/2 0		Wind Mph. 3 1/2 0	
15°F	667	889	933	1244	1333	1778	1733	2311	2133	2844
20°F	500	667	700	933	1000	1333	1300	1733	1600	2133
25°F	400	533	560	747	800	1067	1040	1387	1280	1707
30°F	333	444	467	622	687	889	867	1156	1067	1422
35°F	286	381	400	533	571	762	743	990	914	1219



Jandy's

knowledge and expertise developed the technologically advanced Lite2 LJ heater. Its easily programmable features make life around the pool more enjoyable.

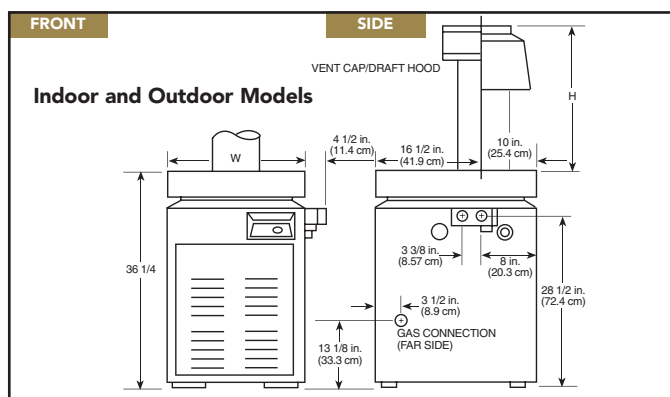
HOW TO CHOOSE A SPA HEATER SIZE

Identify the number of gallons your spa holds. Decide the heat-up time desired, and note on the chart which Lite2 model is recommended. The chart indicates the approximate time required to raise the spa temperature 30°F. A model number 250 heater on a 600 gallon spa will take approximately 45 minutes to raise temperature approximately 30°F (depending on wind, insulation, etc).

SPA HEATER SIZING					
Model	125	175	250	325	400
Spa Size (Gal.)	Time to Heat Spa 30°F (Minutes)				
200	30	21	15	12	9
400	60	43	30	23	19
600	90	64	45	35	28
800	120	86	60	46	37
1000	150	107	75	58	47

SPECIFICATIONS

Models LG LJ	BTUH Input 1000's (kcal)	"W" Width Inches (cm)	"V" Vent Diameter Inches (cm)	"H" Outdoor Stack Inches (cm)	"H" Indoor Stack Inches (cm)	Weight lbs (kgs)
125	125 (31.5)	15 (38)	5 (12.7)	9 1/8 (23)	16 1/4 (41.3)	148 (67)
175	175 (44.1)	18 (45.7)	6 (15.2)	9 3/4 (24)	24 1/8 (61.3)	175 (79)
250	250 (63)	22 1/2 (57.2)	7 (17.8)	10 (26)	25 1/4 (64.1)	182 (83)
325	325 (81.9)	26 3/4 (67.9)	8 (20.3)	10 5/8 (27)	26 1/2 (67.3)	214 (97)
400	400 (101)	31 3/4 (80.6)	9 (22.9)	13 1/4 (34)	27 1/2 (69.9)	228 (103)



Please see your Jandy sales rep for more information.



ALL JANDY PRODUCTS WORK SEAMLESSLY TOGETHER

The Jandy AquaLink® RS Control System manages our complete line of technologically advanced products.



Pumps • Filters • Heaters • Air Energy Heat Pumps
Controls • Lights • Water Purification Systems • Valves
Water Features • Cleaners • Accessories

